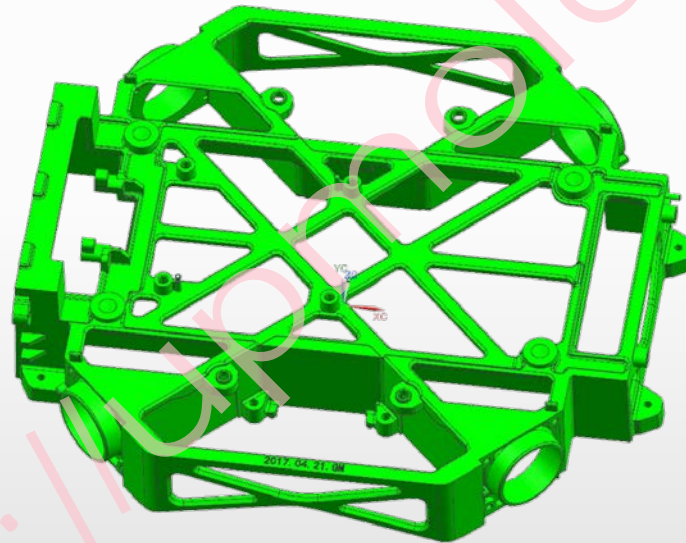


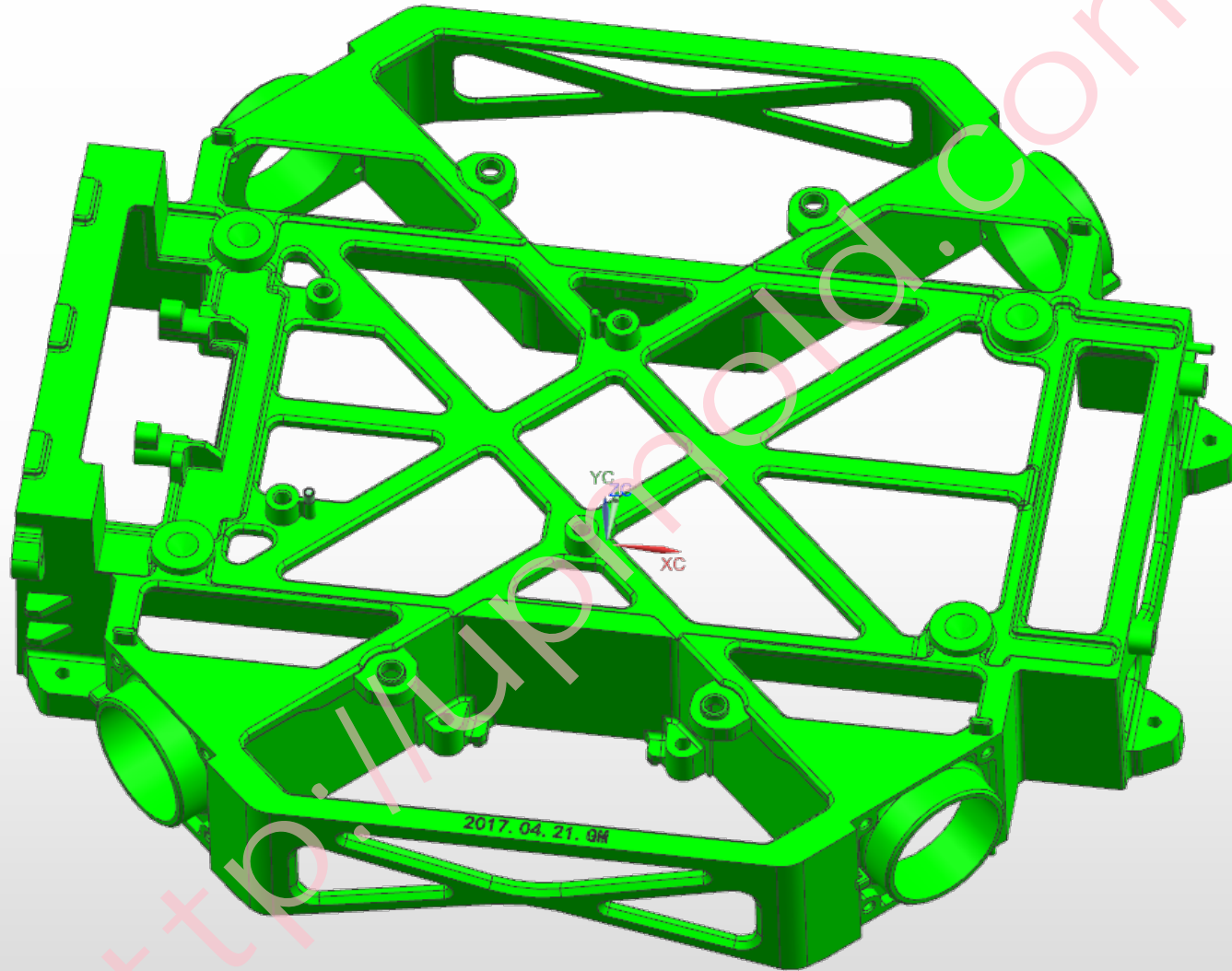
# Magnesium Die Tool Design for Unmanned Plane Body



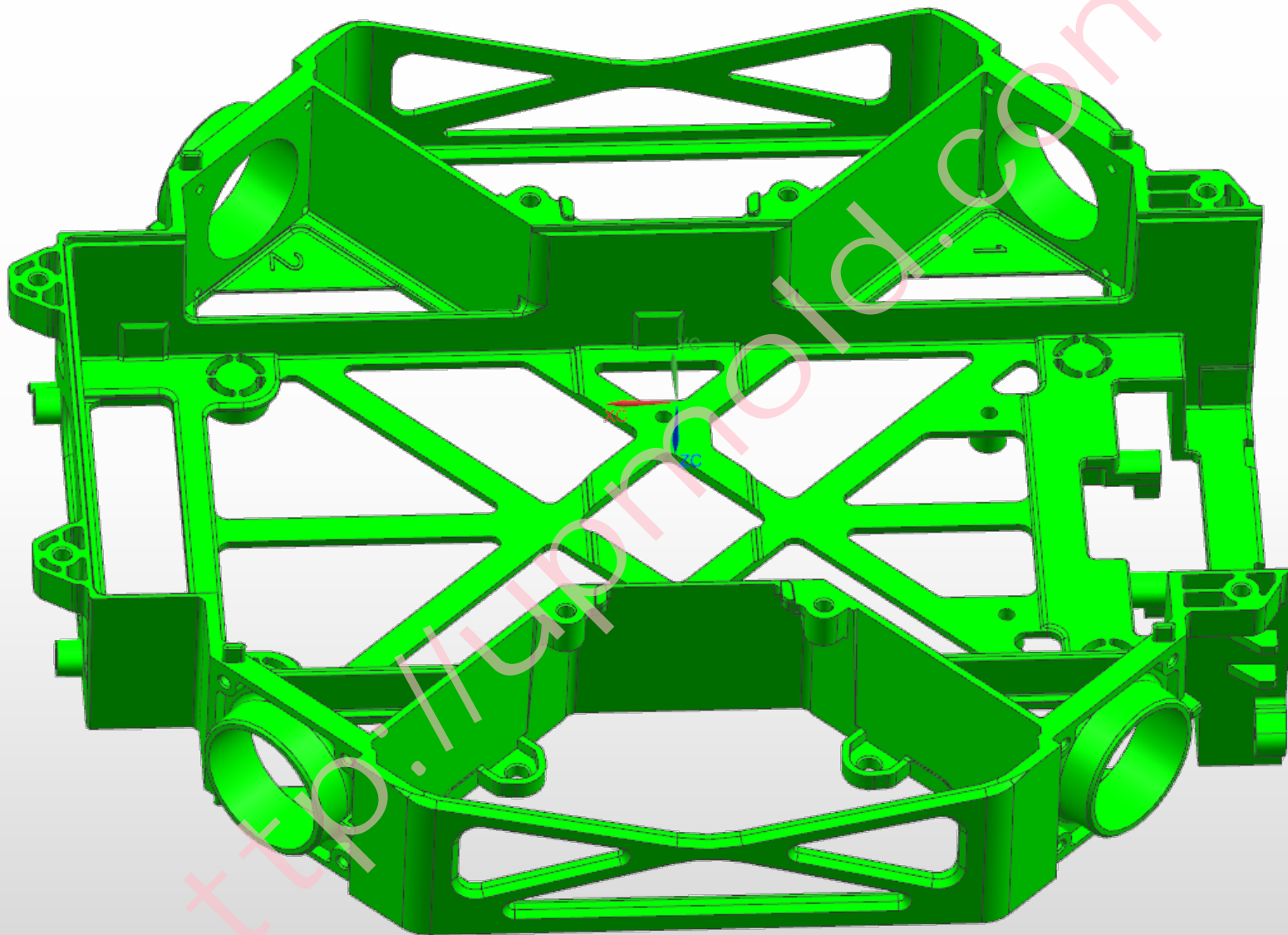
Casting part photos hyperlink:

<http://upmold.com/Product/die-casting-zinc-alloy-products/>

# Unmanned Plane Body Part



# Unmanned Plane Body Part



Stock Size

Type  
Block

Body  
Select Body (1)

Orientation  
Reference: WCS  
Specify Orientation

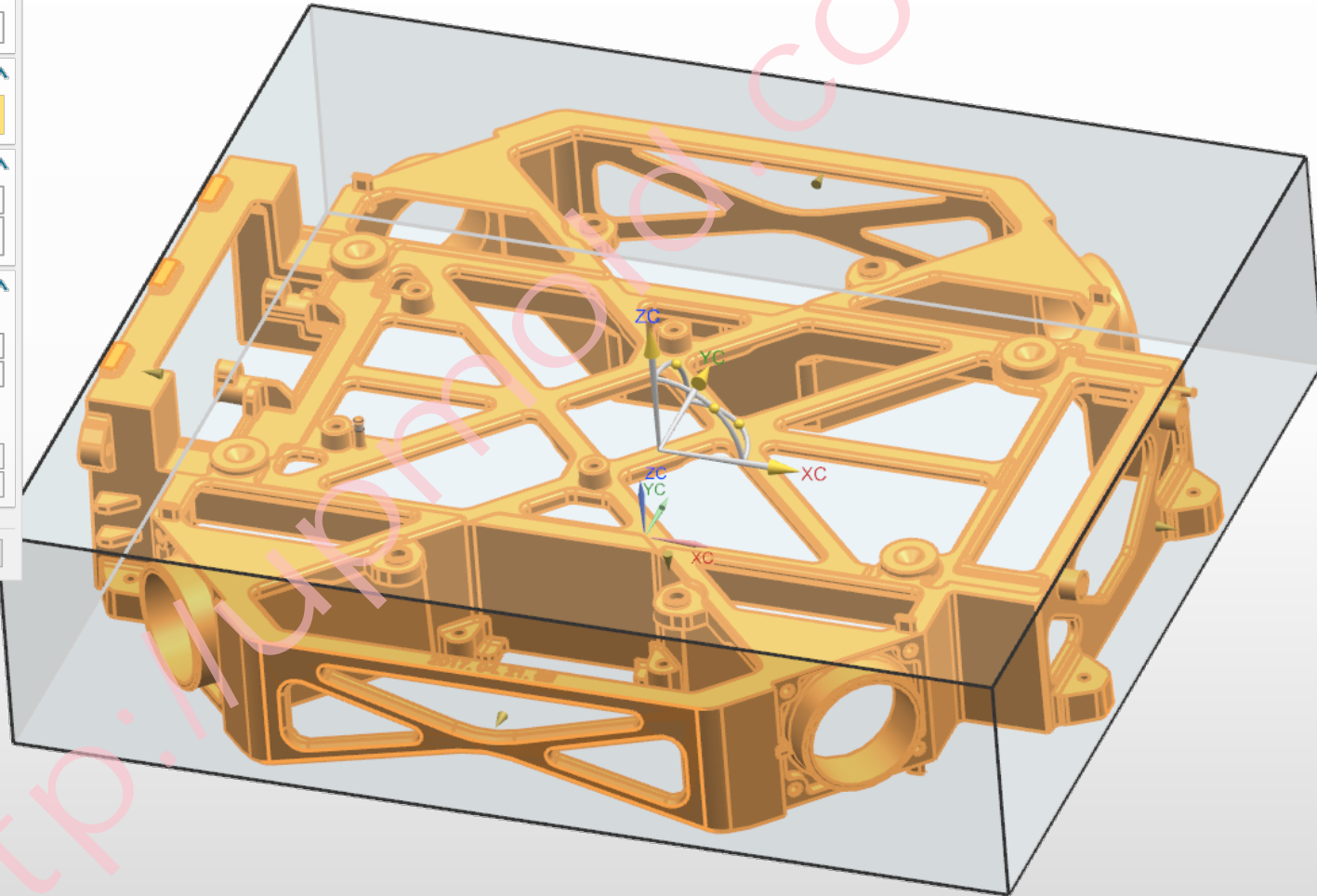
Size

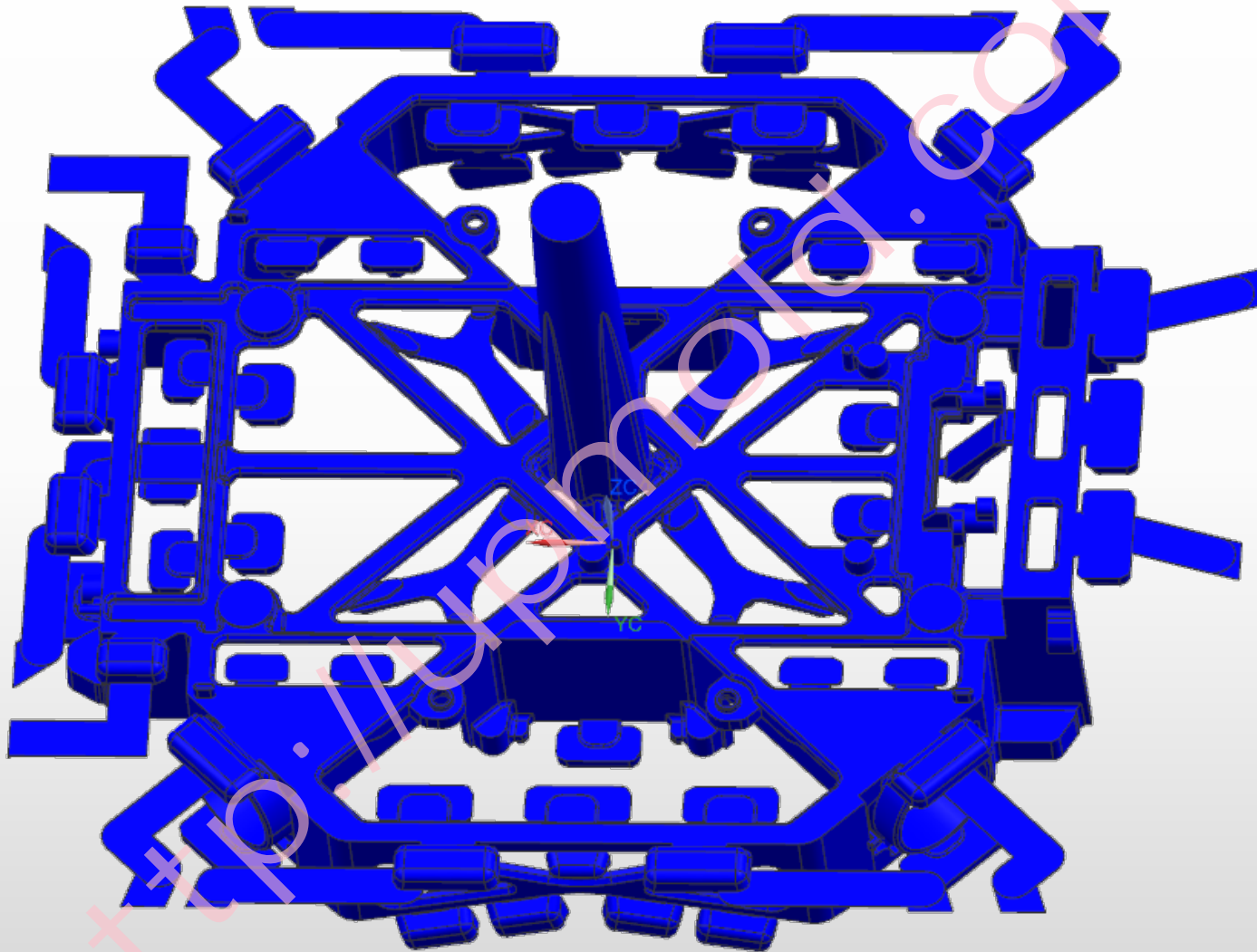
	X	Y	Z
Positive Clearance	0.0000	0.0000	0.0000
Negative Clearance	0.0000	0.0000	0.0000

Symmetric Offset  
 Fit to Bounded Parallel Face

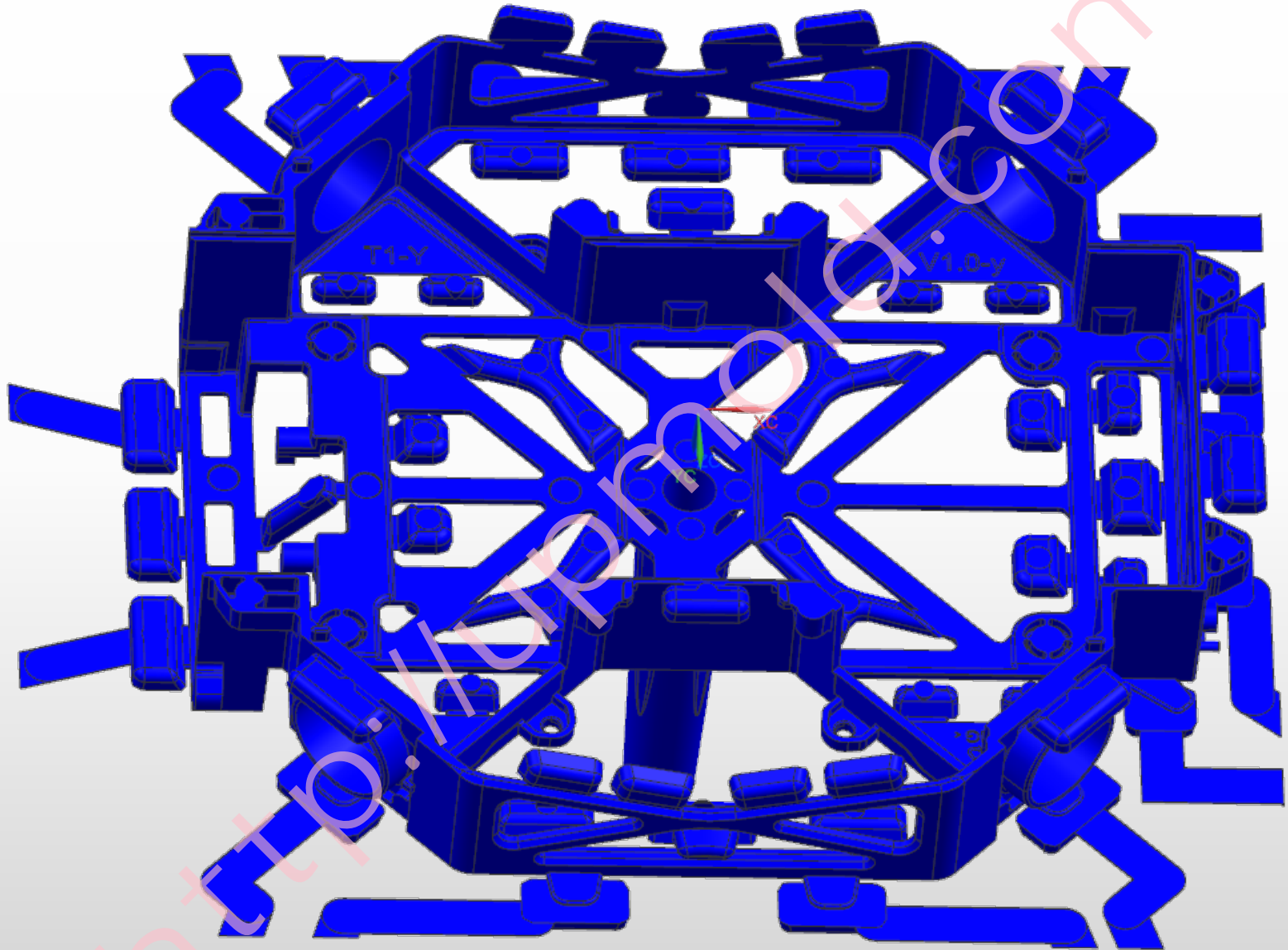
Stock Size: 194.208X173.032X46.678  
Blank Size: 195X174X47

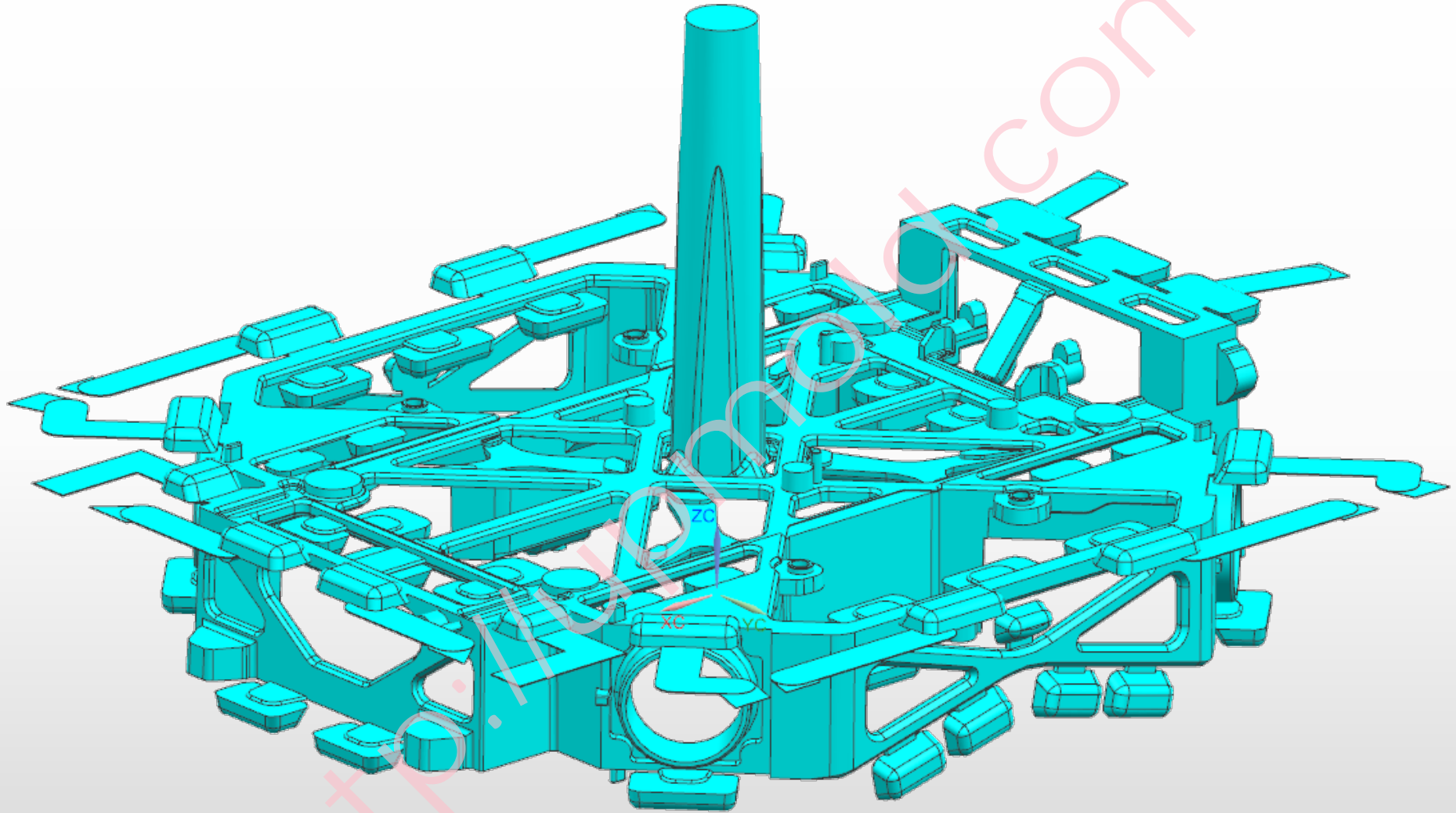
< OK > Apply Cancel

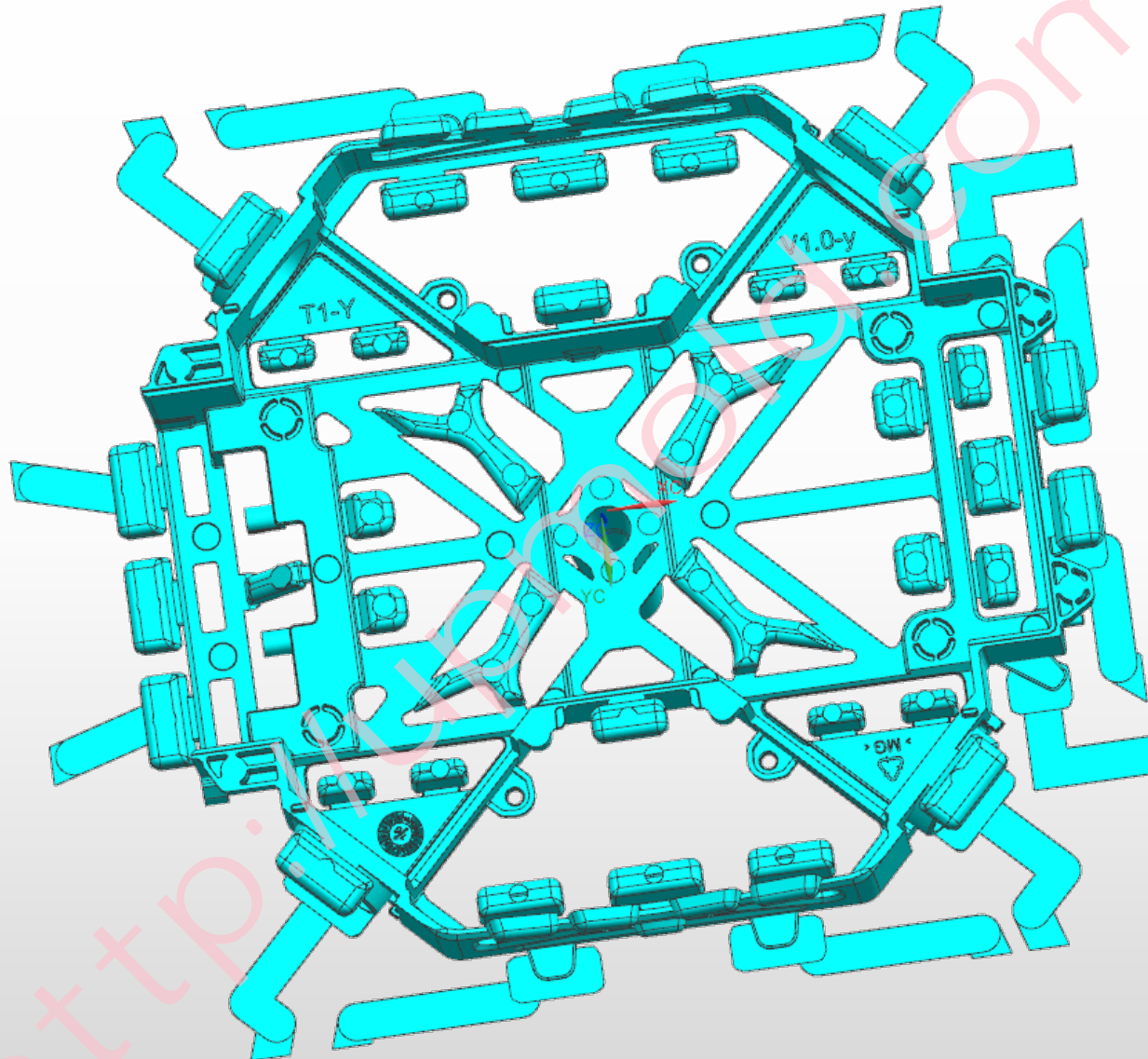




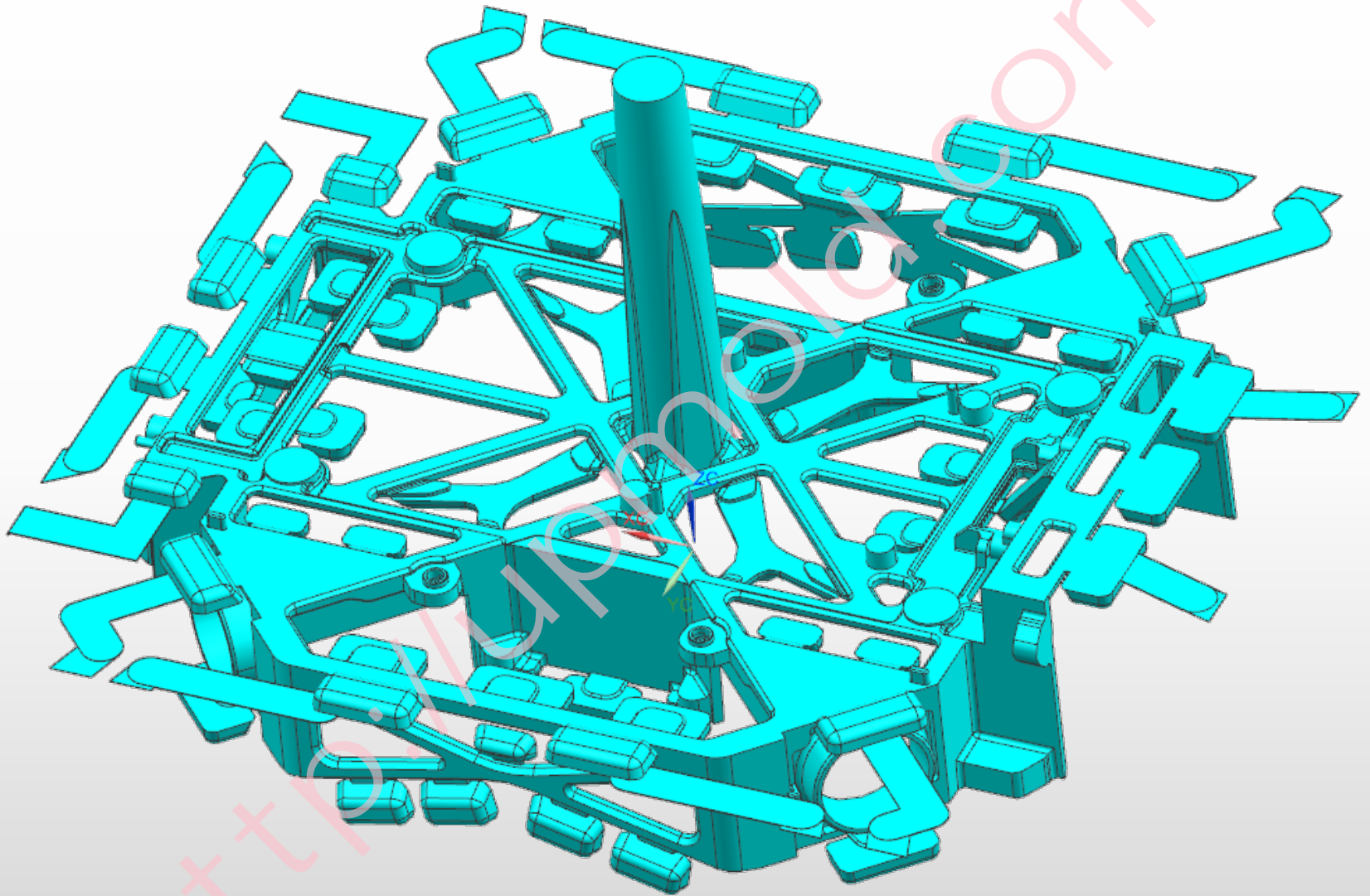




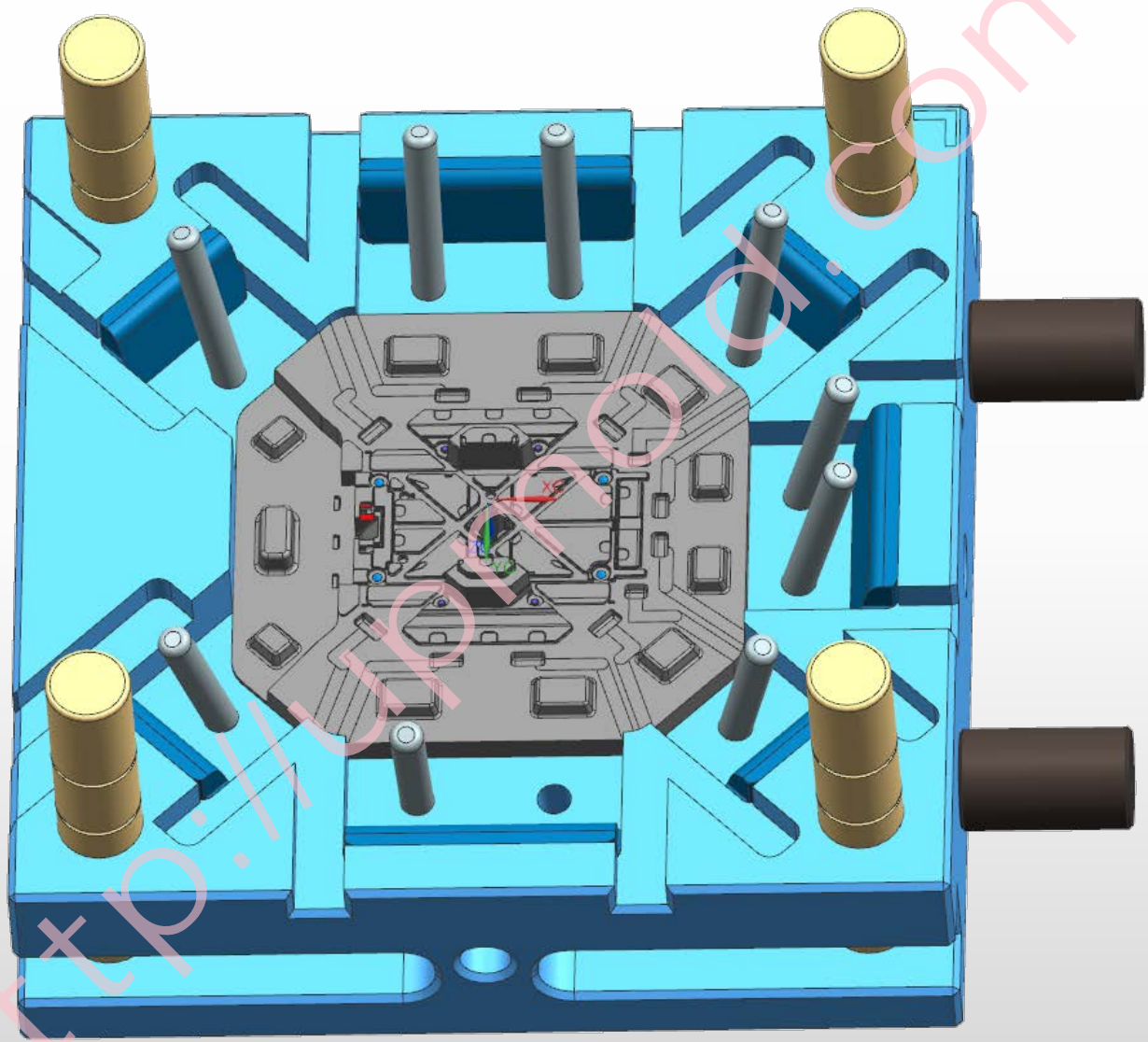




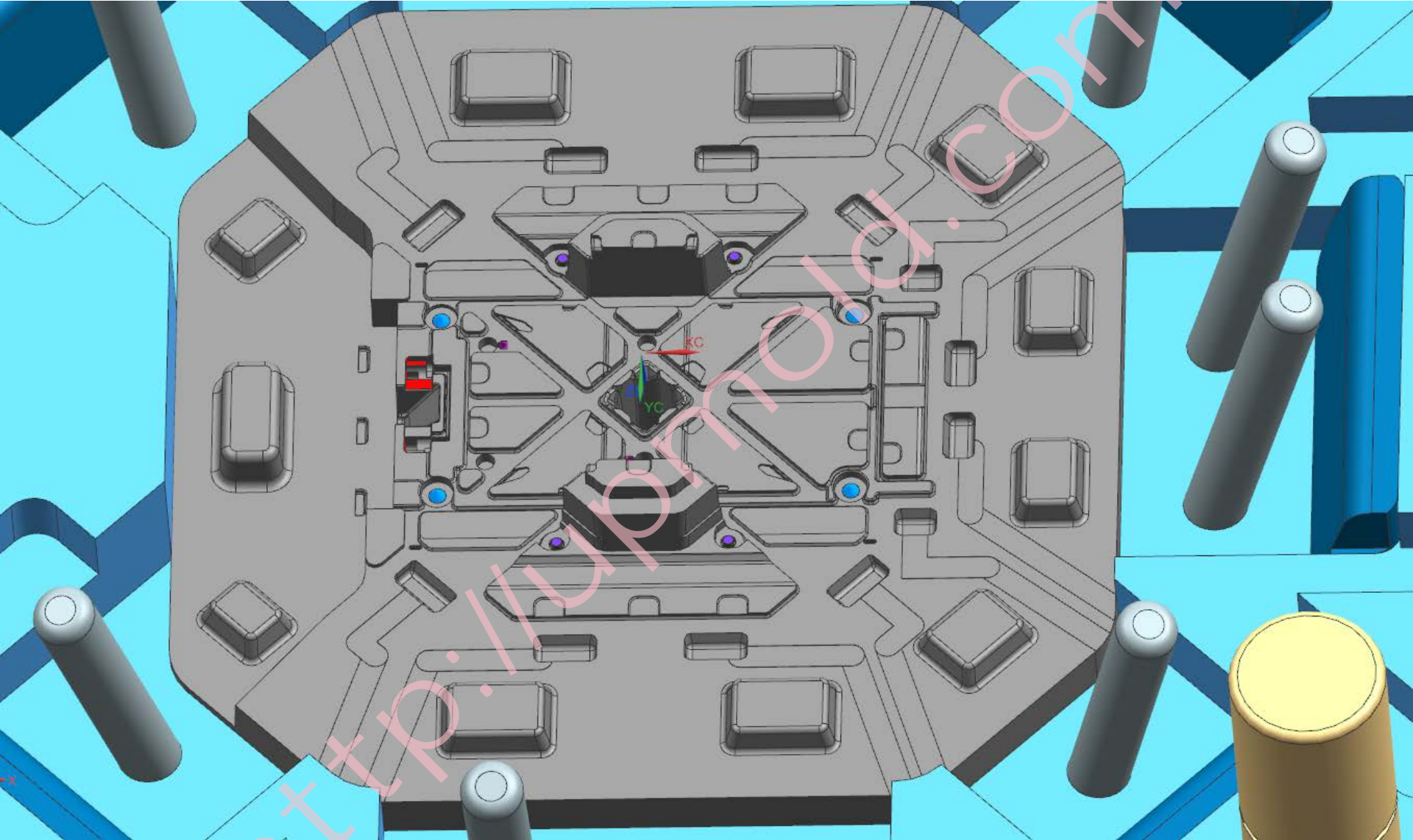




# Fixing side view

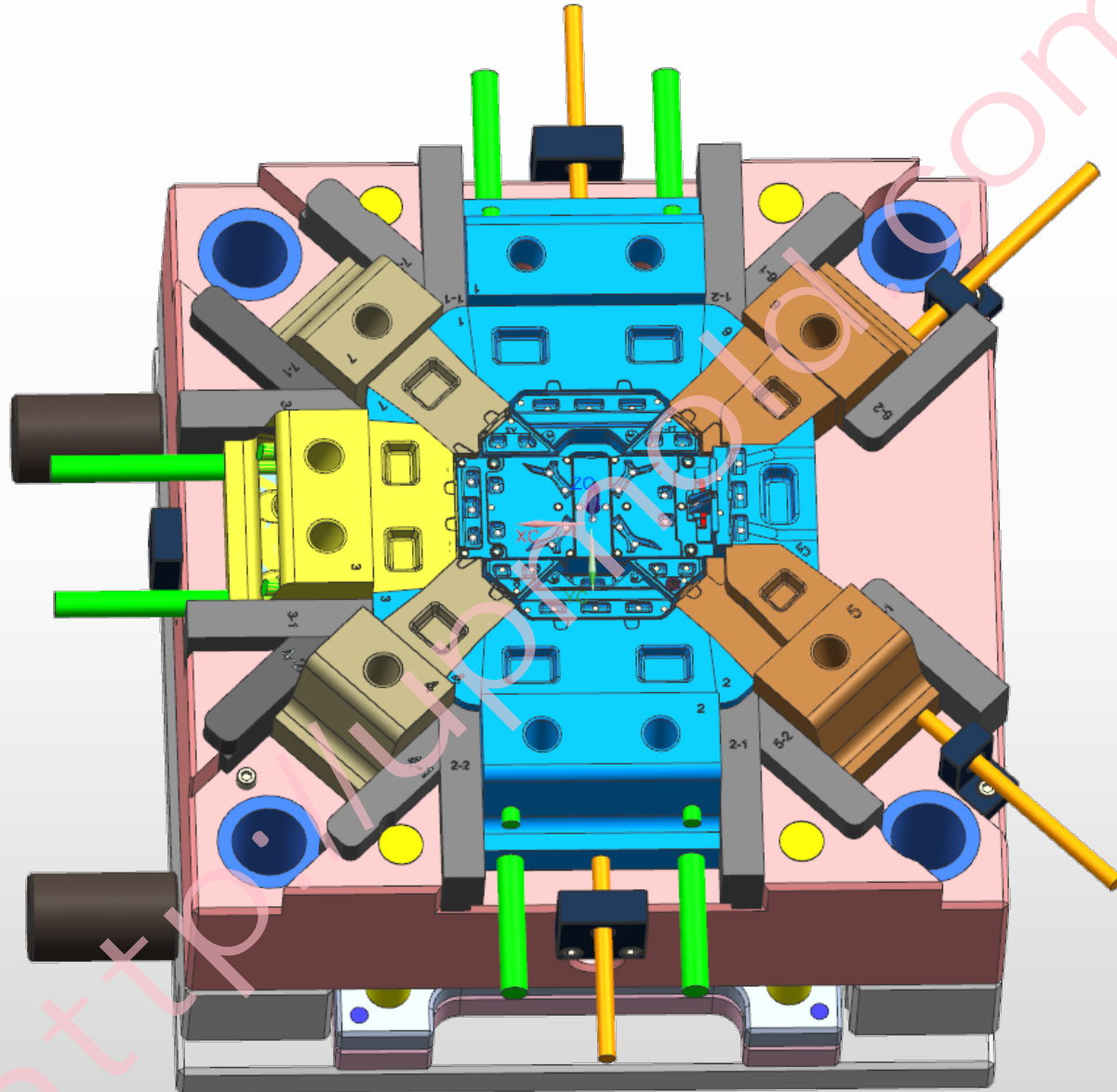


# Cavity view

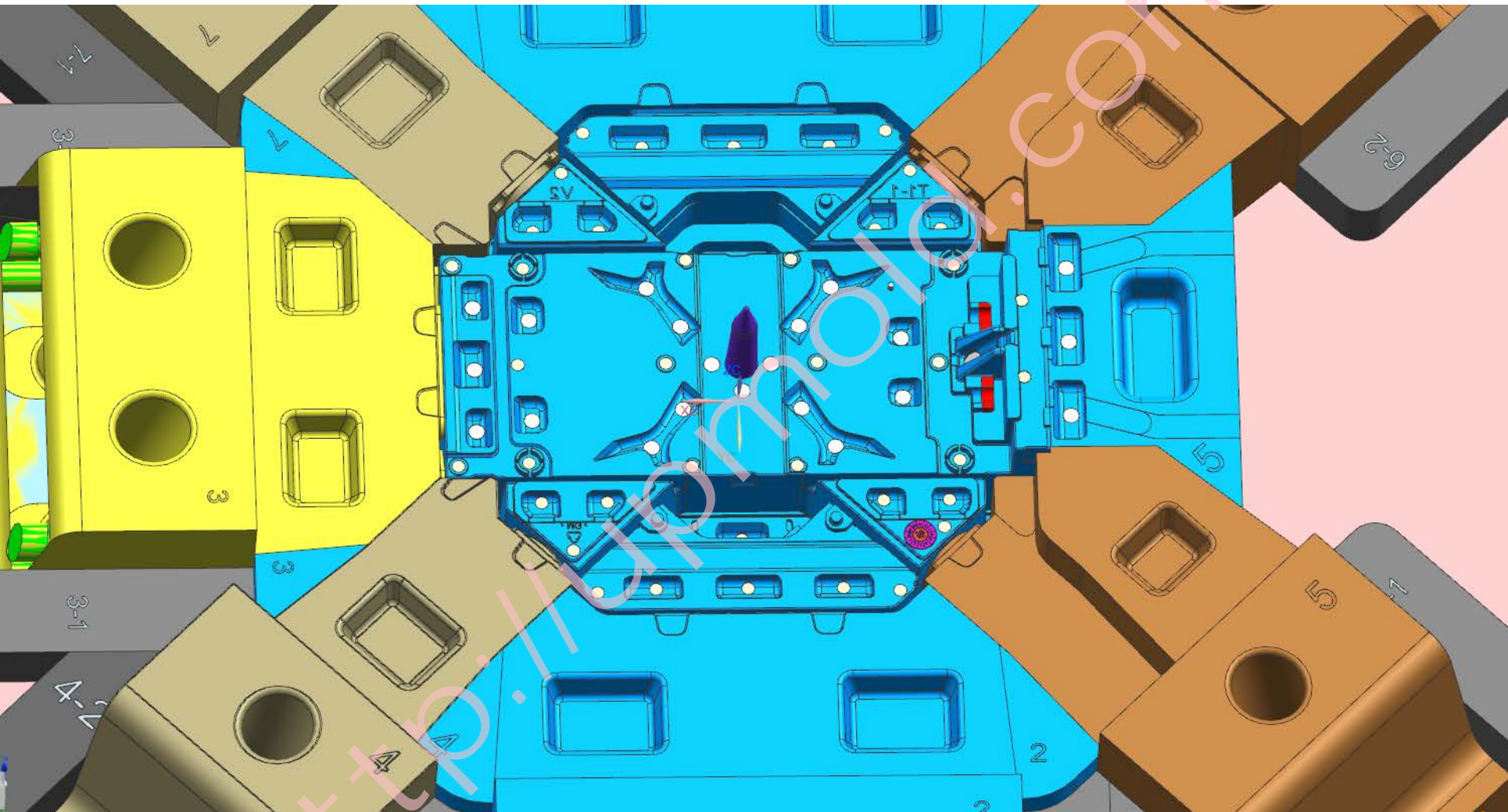




# Moving side view

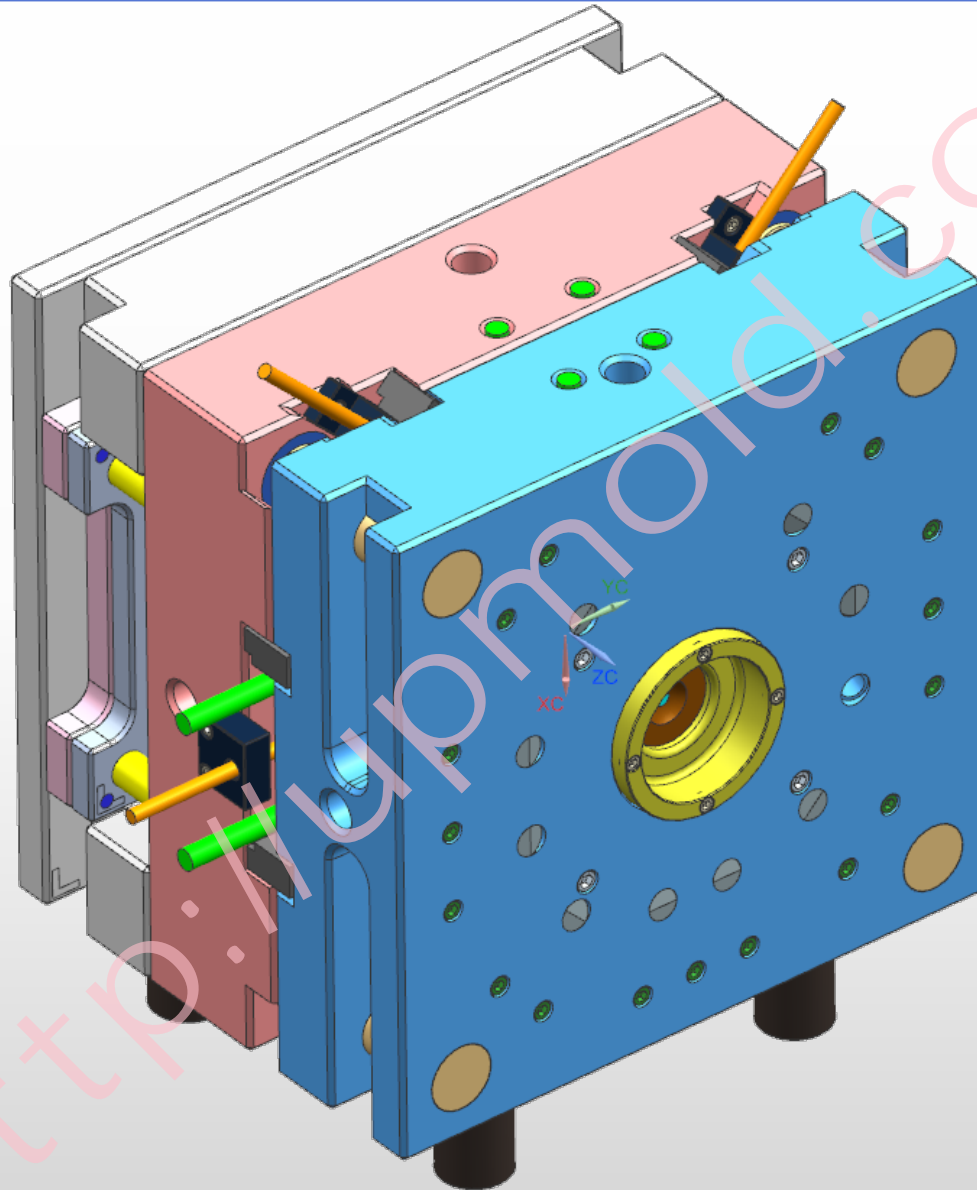


# Core & Slide view

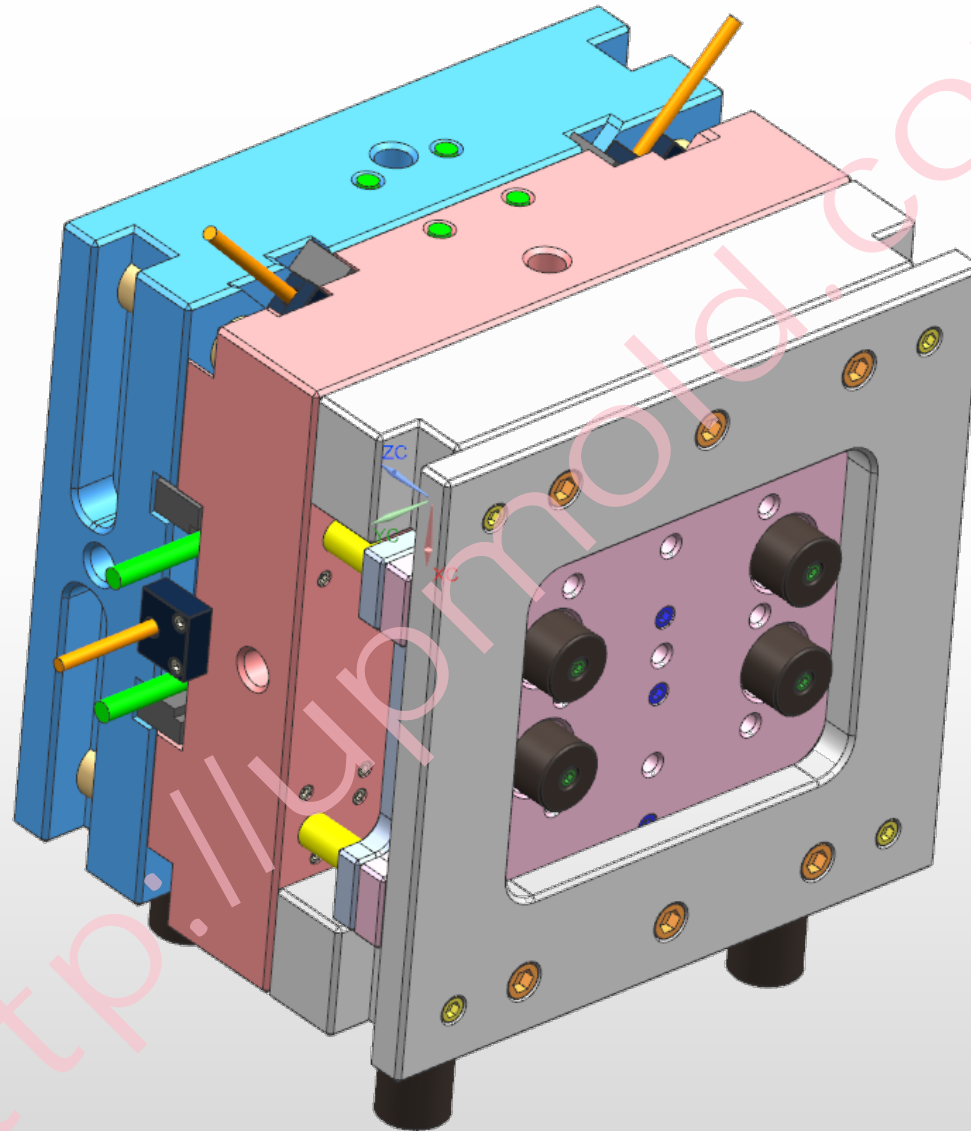




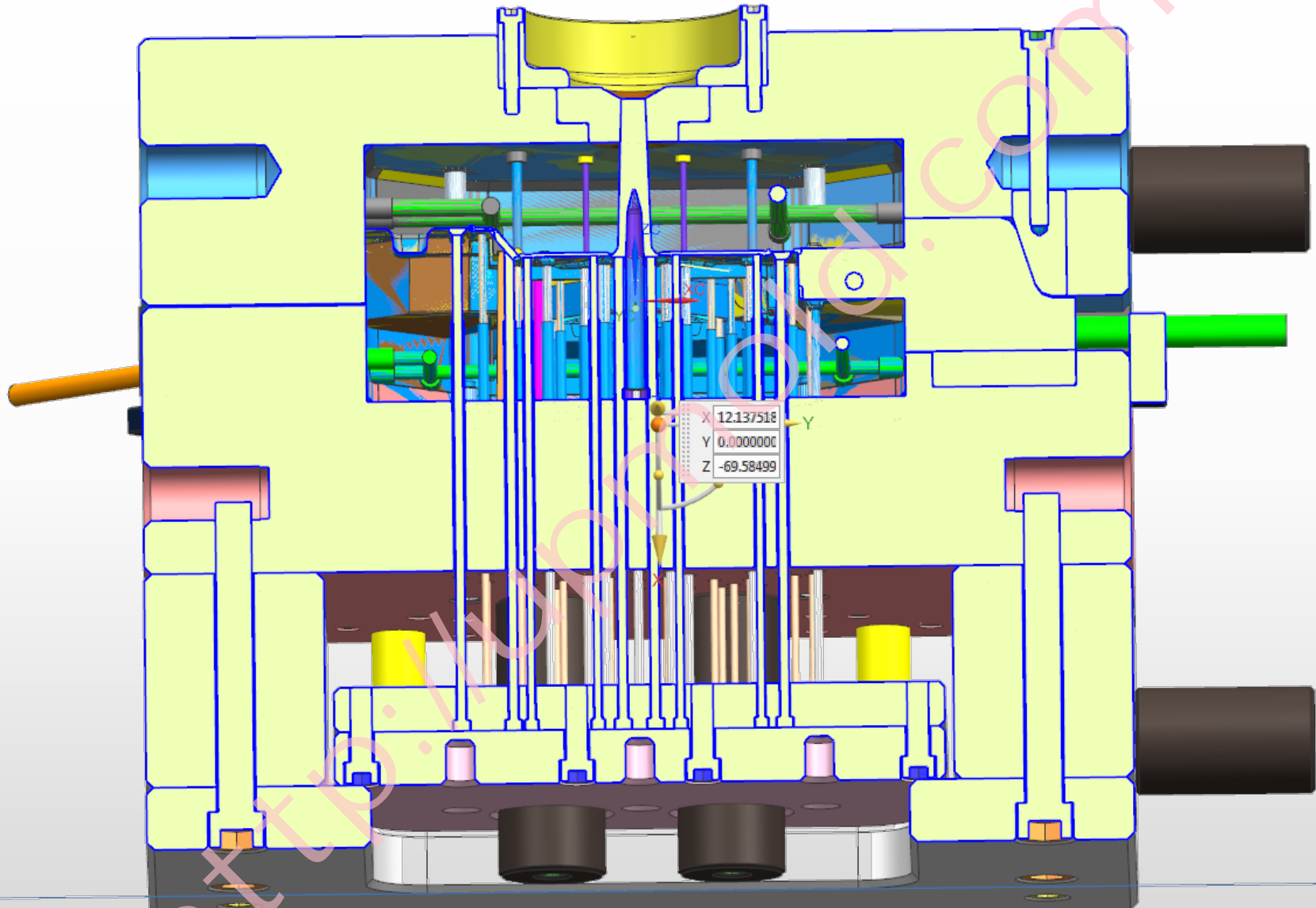
# Front side view



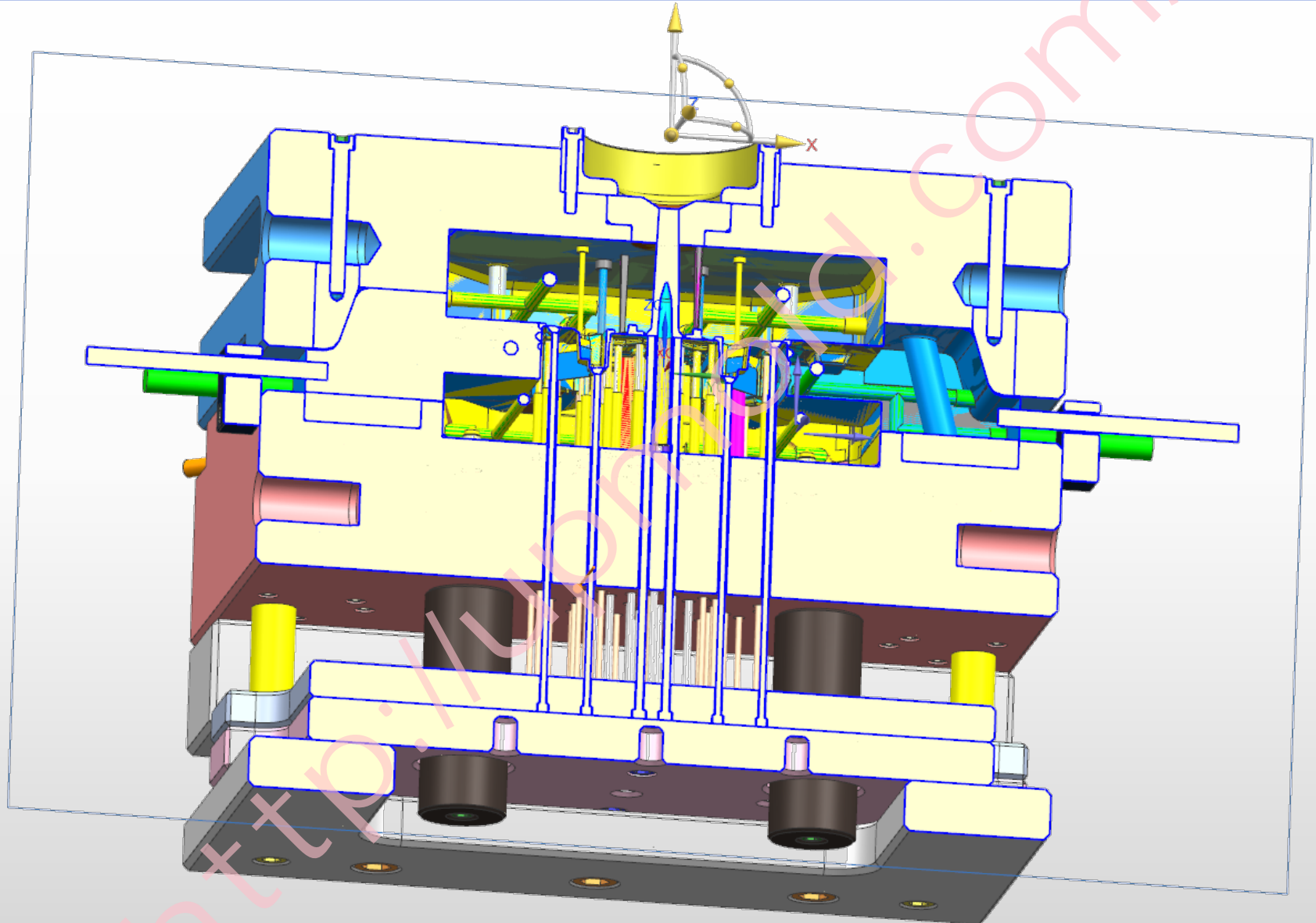
# Back side view



# Section view 1

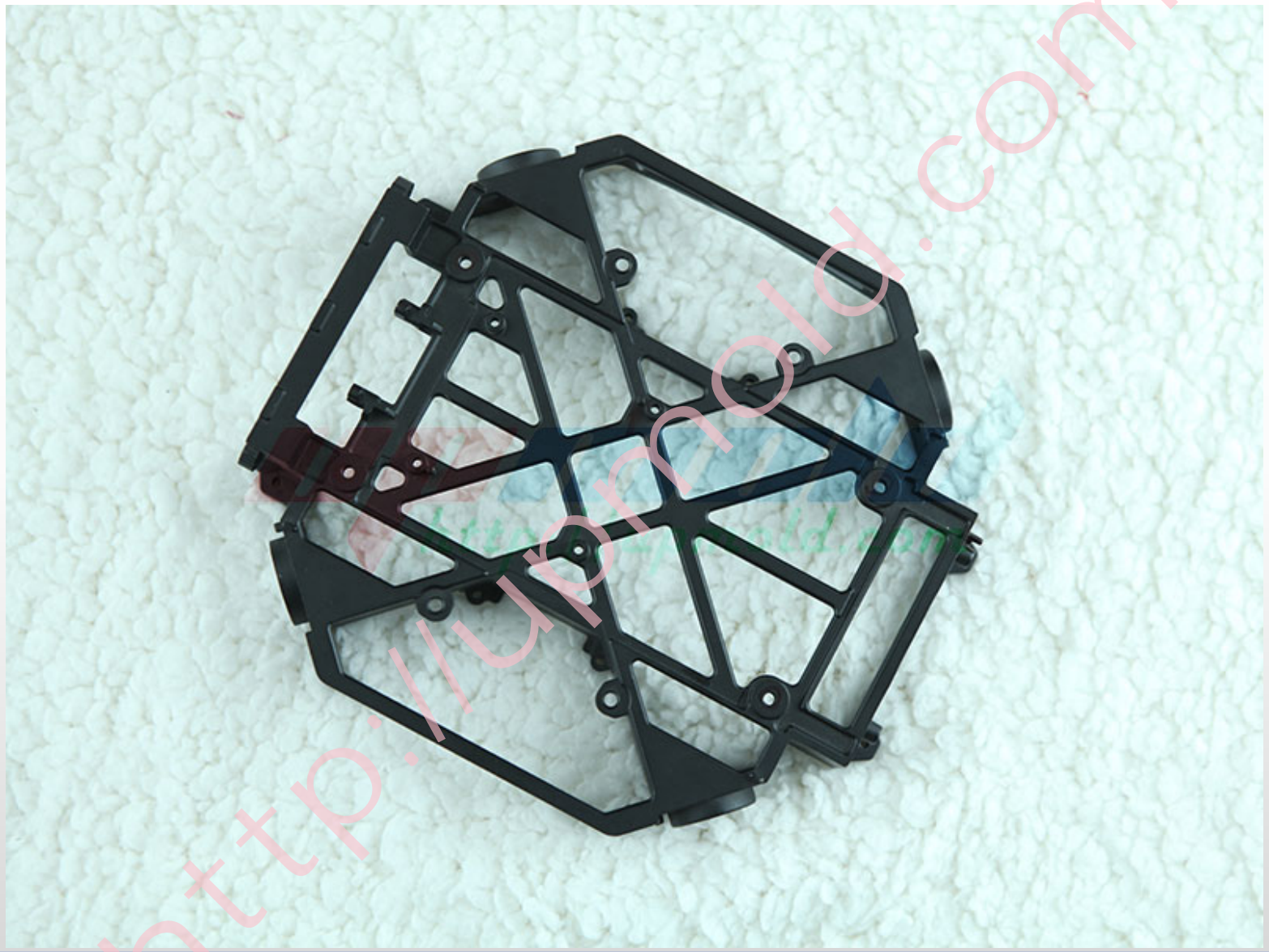


## Section view 2













***Thanks for your attention***

**upmold**  
Mould & Molding Solutions